



PRECISION PERISTALTIC PUMPS

by BINACA PUMPS

OEM PUMPS PP-808 SERIES



PP-808

FEATURES

- ✓ Quick & easy tube loading pump head
- ✓ Suitable for OEM applications including Medical equipment, Biotech & Pharmaceutical
- ✓ Flip down pump head
- ✓ Superior tubing retention design
- ✓ Single channel
- ✓ Trouble free continuous tube easy loading. No contamination
- ✓ Easy panel mount flexibility
- ✓ Standard pumps are designed for 400 rpm for continuous run and intermittent use at 600 rpm
- ✓ Flow rate up to 250 mL/min (continuous run) & 495 mL/min (intermittent run)
- ✓ 5 different tube sizes for different flow rate requirements
- ✓ High precision stepper motor & optional Encoder
- ✓ 4 Rollers design for reduced pulsation
- ✓ Small size & compact design
- ✓ Low power consumption



PP-808-DC



PP-808-SP

PP-808

Precision Peristaltic Pump



PP-808



PP-808-DC



PP-808-SP

Technical Specifications						
Pump Head	Channel Number	Tubing	ID x Wall Thickness (mm)	mL/rev	Speed (rpm)	Max Flow Rate (mL/min)
PP-808	Single Channel	#13	0.8 x 1.6	0.037	0.1~600	22
		#14	1.6 x 1.6	0.135		81
		#19	2.4 x 1.6	0.285		171
		#16	3.1 x 1.6	0.450		270
		#25	4.8 x 1.6	0.825		495

Tubing Installation Procedure



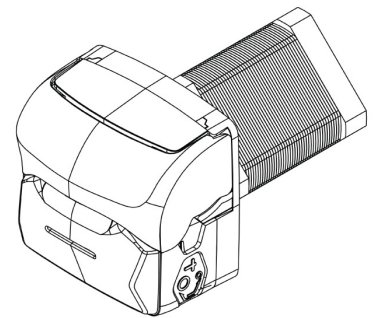
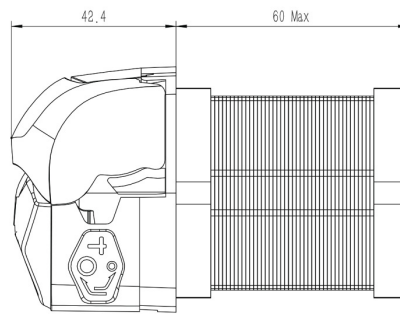
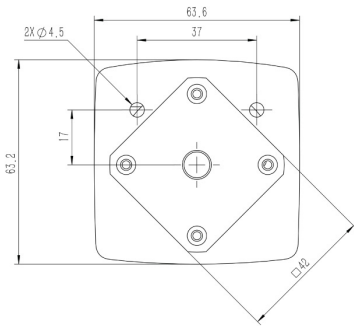
PP-808

Precision Peristaltic Pump



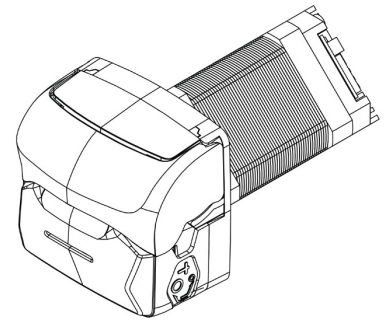
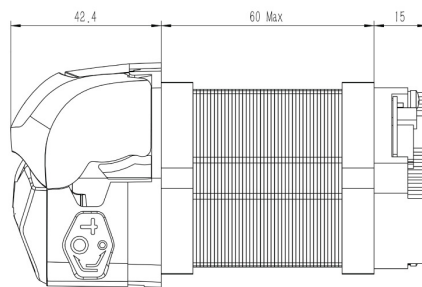
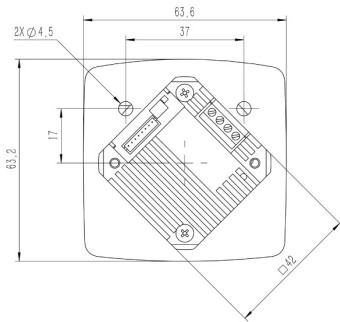
PP-808 Motor Details

Motor Voltage	24V Bipolar (4 Leads)
Step Angle	1.8°
Phase	2
Phase Current	1.0A
Phase Voltage	3.6V
Speed Range	0.1-300rpm
Condition Temperature	0-40°C
Humidity	≤ 80%RH



PP-808-DC (With Controller)

Precision Peristaltic Pump



PP-808-SP

Precision Peristaltic Pump



SPECIAL ORDER

- ✓ Mini version (small motor)
- ✓ Only accepts Tube #13 and #14

