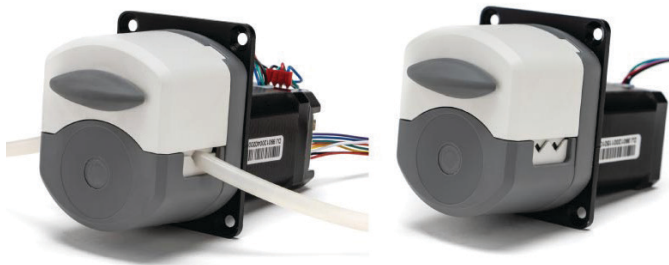




PRECISION
PERISTALTIC PUMPS
by BINACA PUMPS

OEM PUMPS PP-606 SERIES



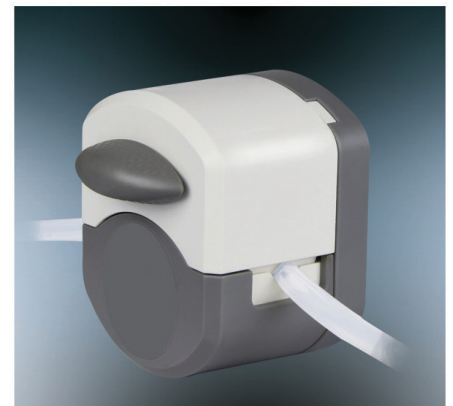
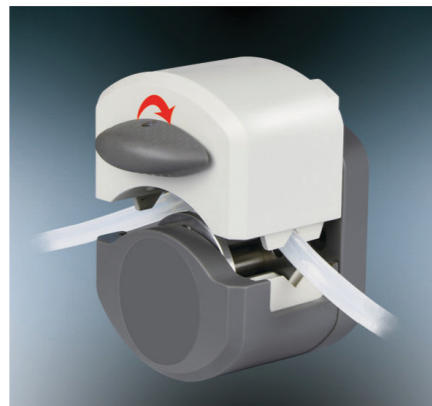
Single Channel



Dual Channel

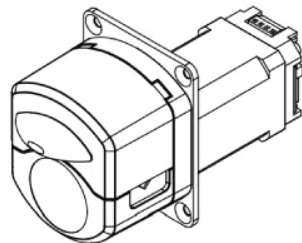
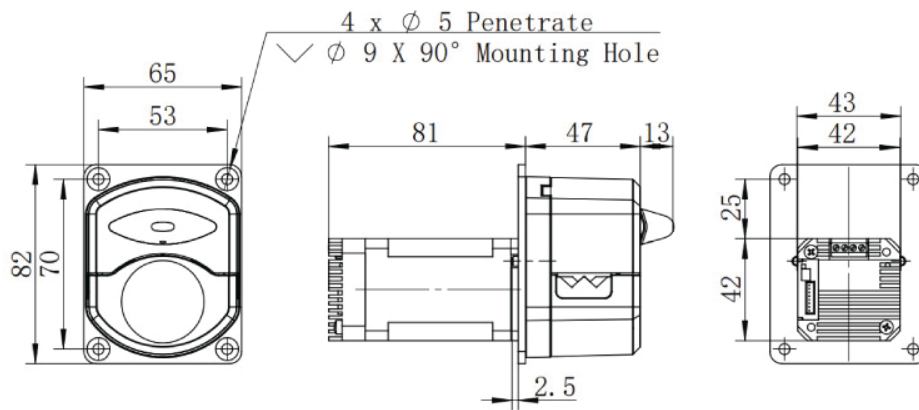
FEATURES

- ✓ Quick tube change pump head
- ✓ Suitable for OEM applications including Medical equipment, Biotech & Pharmaceutical
- ✓ Twist knob used for opening & closing the pump head
- ✓ Superior tubing retention design
- ✓ Single or Dual channel
- ✓ Trouble free continuous tube easy loading. No contamination
- ✓ Easy panel mount flexibility
- ✓ Flow rate up to 365 ml/min
- ✓ 5 different tube sizes for different flow rate requirements
- ✓ High precision stepper motor with optional controller
- ✓ Small size & compact design
- ✓ Low power consumption

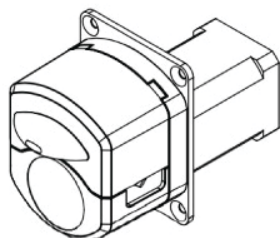
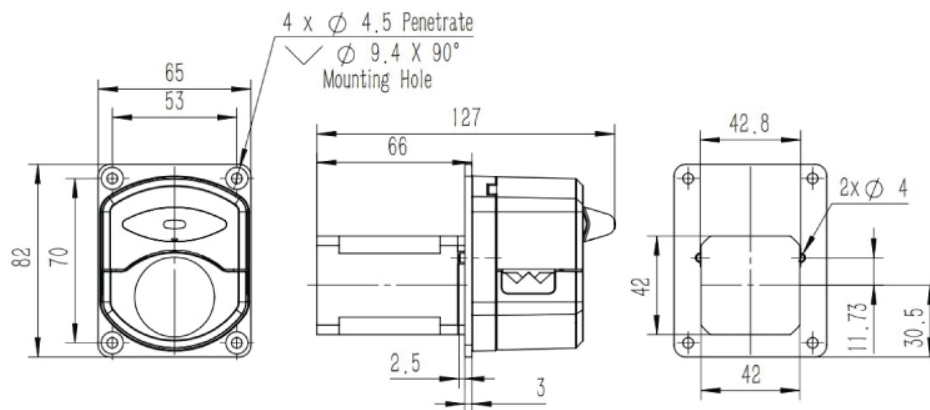


PP-606 Series

Precision Peristaltic Pump



PP-606 With Controller

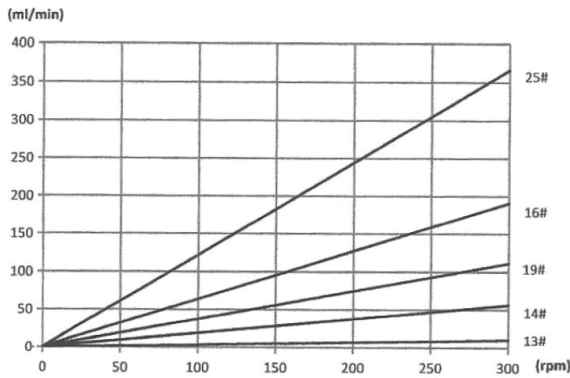


PP-606 Without Controller

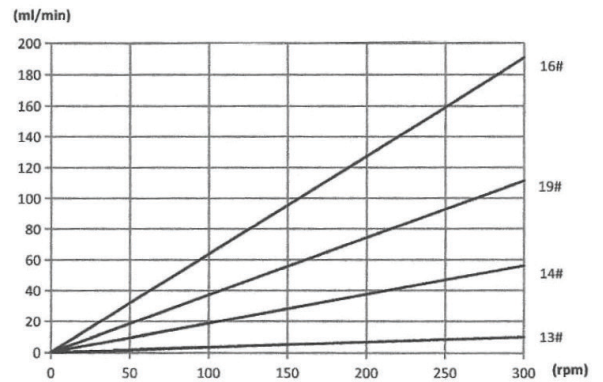
PP-606 Series

Precision Peristaltic Pump

Single channel



Dual channel



PP-606 Motor Details

| | |
|-----------------------|-----------------------|
| Motor Voltage | 24V Bipolar (4 Leads) |
| Step Angle | 1.8° |
| Phase | 2 |
| Phase Current | 1.0A |
| Phase Voltage | 3.6V |
| Speed Range | 0.1-300rpm |
| Condition Temperature | 0-40°C |
| Humidity | ≤ 80%RH |

Technical Specifications

| Pump Head | Channel Number | Tubing | ID x Wall Thickness (mm) | mL/rev | Speed (rpm) | Max Flow Rate (mL/min) |
|-----------|----------------|--------|--------------------------|--------|-------------|------------------------|
| PP-606S | Single Channel | #13 | 0.8 x 1.6 | 0.033 | 0.1~300 | 10.03 |
| | | #14 | 1.6 x 1.6 | 0.187 | | 56.09 |
| | | #19 | 2.4 x 1.6 | 0.371 | | 111.17 |
| | | #16 | 3.1 x 1.6 | 0.636 | | 190.76 |
| | | #25 | 4.8 x 1.6 | 1.219 | | 365.69 |
| PP-606D | Dual Channel | #13 | 0.8 x 2.4 | 0.033 | 0.1~300 | 10.03 |
| | | #14 | 1.6 x 2.4 | 0.187 | | 56.09 |
| | | #19 | 2.4 x 2.4 | 0.371 | | 111.17 |
| | | #16 | 3.1 x 2.4 | 0.636 | | 190.76 |