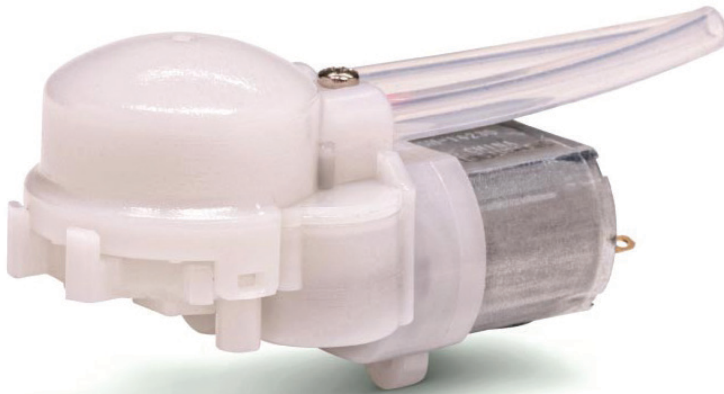
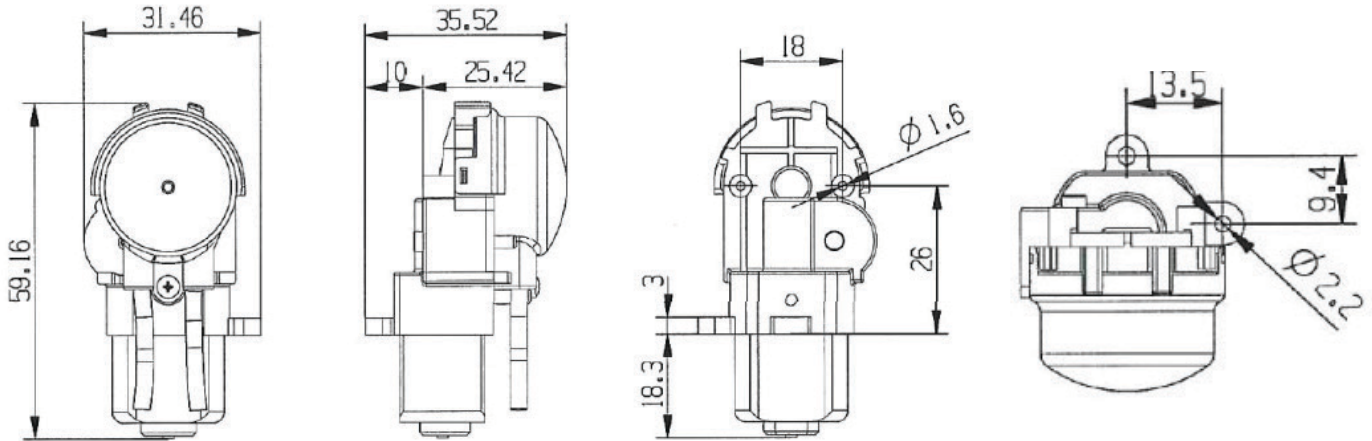


SP-1 Peristaltic Pump



TECHNICAL DETAILS

- ✔ Max. Flow Rate: 30 mL/min
- ✔ Tubing: 2.0 mm ID x 4.0 mm OD / 3.0 mm ID x 5.0 mm OD
- ✔ Tubing Material: Silicone or PharMed BPT
- ✔ Voltage: 6 V/ 12 V
- ✔ Weight: 45 gms.
- ✔ Dimensions: 55 mm x 30 mm x 25 mm



SP-1	Flow Rate (mL/min)		
12 VDC	3	10	10
Tubing Options			
Tubing Material	S	S	BPT
Tubing Size IDxOD (mm)	1x3	2x4	2x4

