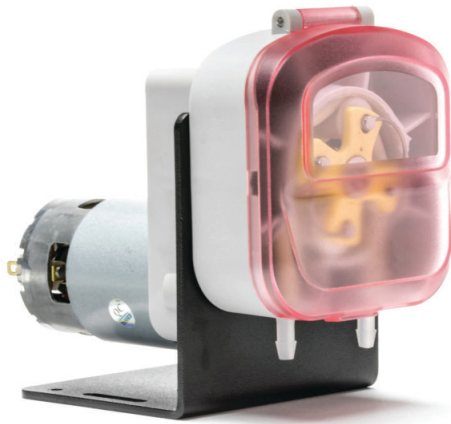
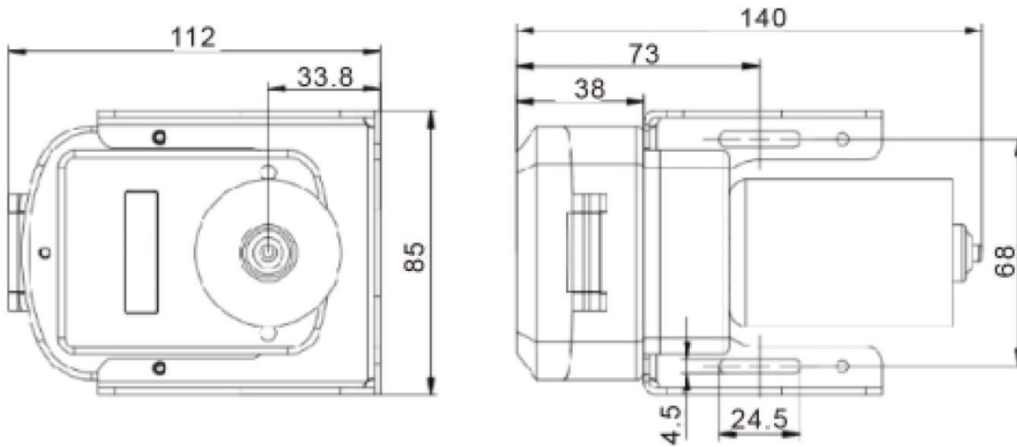


# PP-8 Peristaltic Pump



## FEATURES

- ✔ Designed for higher flow applications
- ✔ Flow Rate: up to 280 mL/min
- ✔ Suitable for viscous and non-viscous liquids, as well as handling liquids with particles
- ✔ Choice of DC Motor or Stepper Motor for precise control (see PP-9 for Stepper Motor option)
- ✔ Thick wall tubing for long life and tubing materials provide for good chemical resistance
- ✔ Tubing Options: PharMed® BPT (BPT) and Norprene® (N)
- ✔ 4 rollers for higher precision (Optional)



PP-8	Flow Rate (mL/min)		Speed (RPM)	Weight (lbs.)
DC Motor 12 VDC (0.5 A)	280	280	300	1.6
DC Motor 24 VDC (0.28 A)	280	280	300	1.6
<b>Tubing Options</b>				
Tubing Material	BPT	Norprene	---	---
Tubing Size IDxOD (mm)	4x7.2	4x7.2	---	---