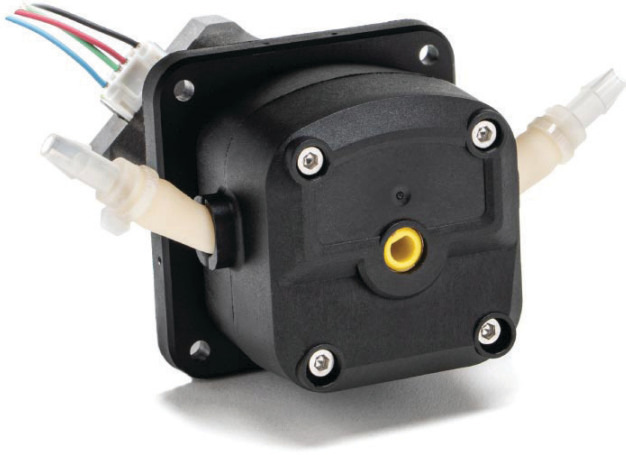
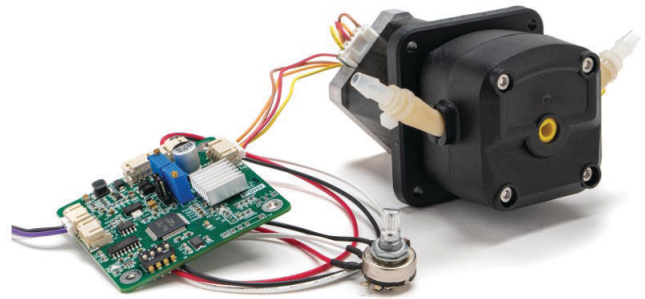
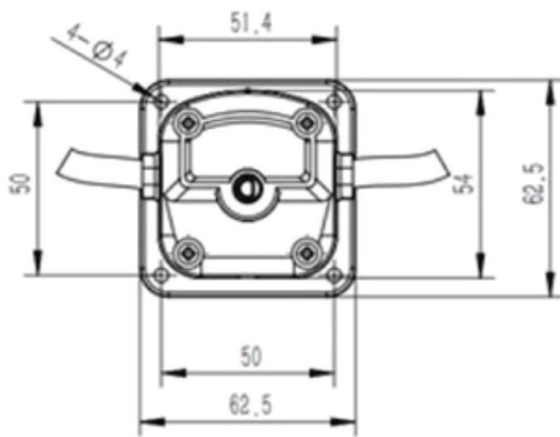


PP-6 Peristaltic Pump (stepper motor)



FEATURES

- ✓ Flow Rate: up to 600 mL/min
- ✓ Suitable for viscous and non-viscous liquids
- ✓ Stepper Motor for quiet operation (24V, 1.5A)
- ✓ Tubing Options: PharMed® BPT (BPT), Silicone (S)
- ✓ Max Motor Speed: 500 rpm
- ✓ 3 Rollers
- ✓ Weight (gms): 450
- ✓ Dimensions (mm): 85x63x63



PP-6	Flow Rate (mL/min)	
24 VDC – 3 Rollers	540	600
Tubing Options		
Tubing Code	B 25	S 28
Tubing Size IDxOD (mm)	4.8x8.0	5.0x8.2

