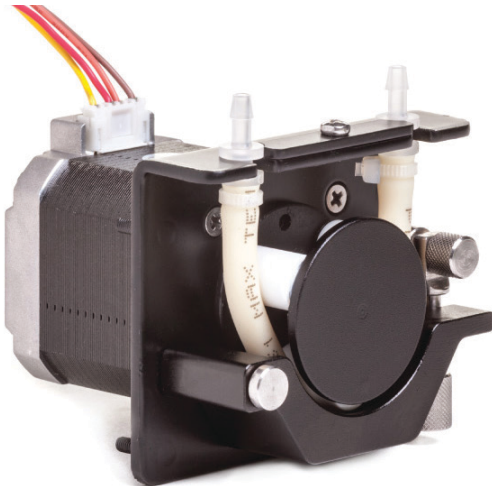
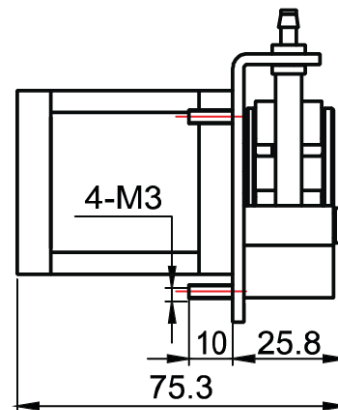
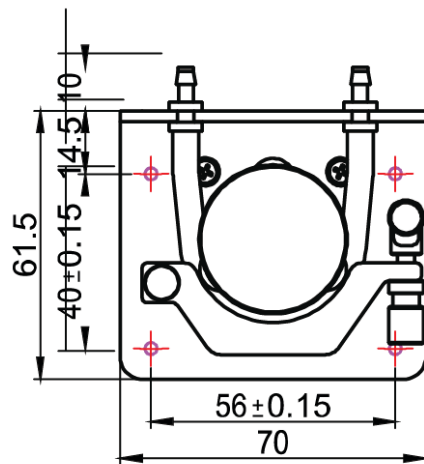


PP-5 Peristaltic Pump (stepper motor)



FEATURES

- ✓ Flow Rate: up to 300 mL/min
- ✓ Tubing wall thickness up to 1.6 mm for high performance
- ✓ Stepper Motor allows for quiet operation (see PP-4 for DC Motor option)
- ✓ Tubing Options: High-Grade Viton (V), PharMed® BPT (BPT), Norprene® (N), Silicone (S)
- ✓ Max Motor Speed: 450 rpm
- ✓ Choice of 3 rollers or 6 rollers for higher precision



PP-5	Flow Rate (mL/min)							
	12 VDC Stepper - 3 Rollers	18	55	120	170	300	30	70
12 VDC Stepper - 6 Rollers	15	45	95	135	200	--	--	--
24 VDC Stepper - 3 Rollers	18	55	120	170	300	45	100	130
24 VDC Stepper - 6 Rollers	15	45	95	135	200	--	--	--
Tubing Options								
Tubing Material	S	S / BPT / N	S / BPT	S / BPT / N	S	V	V	V
Tubing Size IDxOD (mm)	0.8x4	1.5x5	2.5x6	3x6	4x7	1.7x3.5	2.5x4.2	2.8x4.5