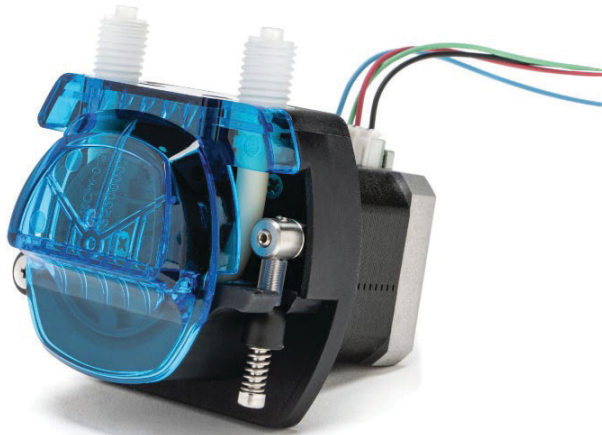
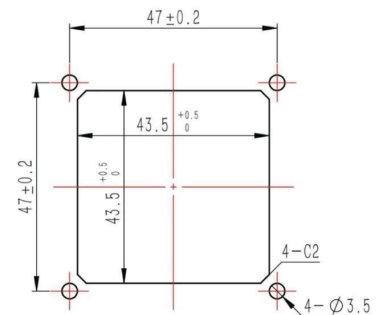
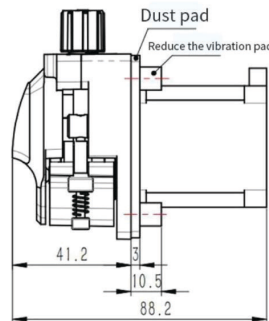
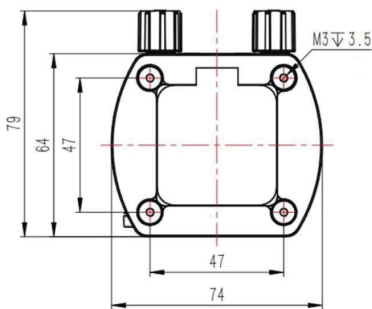


PP-4 Peristaltic Pump



FEATURES

- ✓ Flow Rate: up to 300 mL/min
- ✓ Max Motor Speed: 450 rpm (24V) / 350 rpm (12V)
- ✓ Tubing wall thickness up to 1.6 mm for high performance
- ✓ Stepper Motor for quiet operation
- ✓ Tubing Options: PharMed® BPT (BPT), Silicone (S), Norprene® (N)
- ✓ Choice of 3 rollers or 6 rollers for higher precision
- ✓ Weight (gms): 425
- ✓ Dimensions (mm): 88x74x79



PP-4	Flow Rate (mL/min)				
	12 VDC – 3 Rollers	16	45	100	125
12 VDC – 6 Rollers	13	40	75	90	125
24 VDC – 3 Rollers	18	55	130	170	300
24 VDC – 6 Rollers	15	40	95	120	170
Tubing Options					
Tubing Code	S 13	S 14 / BPT / N	S 19 / BPT	S 16 / BPT / N	S 40
Tubing Size IDxOD (mm)	0.8x4	1.6x4.8	2.4x5.6	3.2x6.4	4x7.2