

PP-3-BL (brushless) Peristaltic Pump

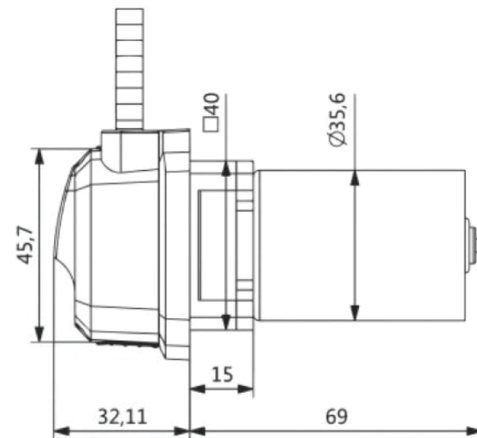
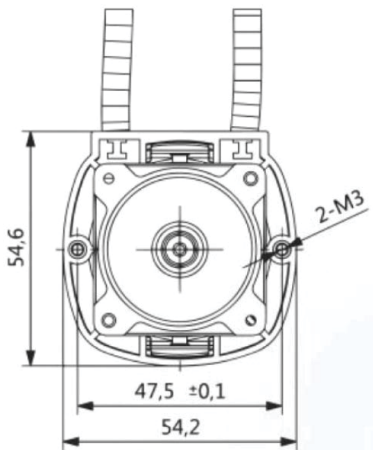


FEATURES

- ✔ Compact Size
- ✔ Lightweight: 170 gms
- ✔ Flow Rate: 320 mL/min max
- ✔ Max Speed: 450 rpm (intermittent)
- ✔ Suitable for viscous and non-viscous liquids
- ✔ Tubing Options: Norprene (N), Silicone (S)
- ✔ Special gear system design eliminates slippage problem very common in other peristaltic pumps
- ✔ Brushless DC Motor with PWM (Pulse Width Modulation) capability for precise control of the pump output
- ✔ 3 Rollers
- ✔ Dimensions (mm): 101x54x55

WIRING INSTRUCTIONS FOR BRUSHLESS MOTOR:

RED: +ve
BLACK: -ve
WHITE: PWM (Pulse Width Modulation) 5-20 kHz, 0-5 V
YELLOW: Motor speed feedback
GREEN: CW/CCW
* Red & White wires may be joined together if PWM function is not needed.



PP-3-BL	Flow Rate (mL/min)			
12 VDC (800 mA) One Gear Down	210	320	200	300
24 VDC (400 mA) One Gear Down	210	320	200	300
Tubing Options				
Tubing Material	S 16	S 40	N 16	N 40
Tubing Size IDxOD (mm)	3.2x6.4	4.0x7.2	3.2x6.4	4.0x7.2