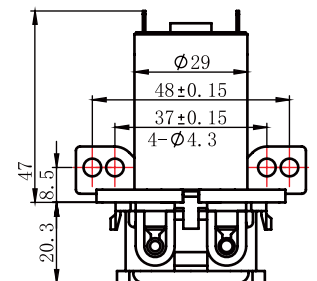
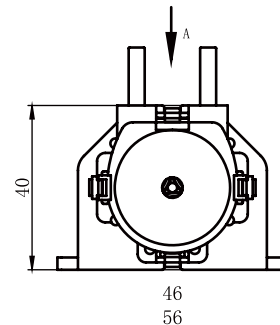
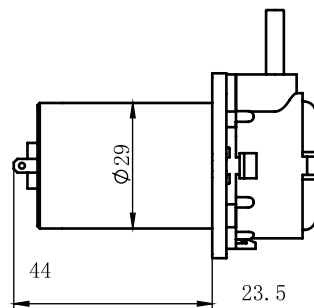
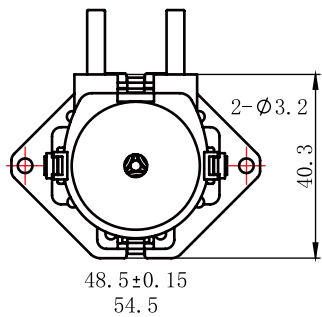


PP-2 Peristaltic Pump



FEATURES

- ✓ Small Size
- ✓ Flow Rate: 1 mL/min to 90 mL/min range
- ✓ Low power consumption
- ✓ Suitable for intermittent operation
- ✓ Two different mounting configurations to choose from
- ✓ PharMed® BPT (BPT) tubing has better chemical resistance than Silicone (S) and meets USP Class Vi, FDA, NSF criteria



PP-2	Flow Rate (mL/min)										
	3 VDC	1	3	4	10	18	30	40	5	12	15
6 VDC	3	5	10	22	35	60	90	10	25	40	50
12 VDC	3	5	10	22	35	55	80	10	22	35	45
24 VDC	2	4	10	22	35	60	85	10	22	35	50
Tubing Options											
Tubing Material	S	S	S	S	S	S	S	BPT	BPT	BPT	BPT
Tubing Size IDxOD (mm)	0.4x3	0.6x3	1x3.3	1.5x4	2x4	2.5x4.5	3x5	1x3.3	2x4	2.5x4.5	1.5x3.5