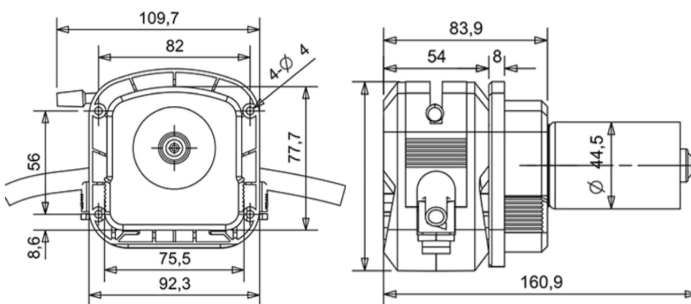


PP-10 Peristaltic Pump

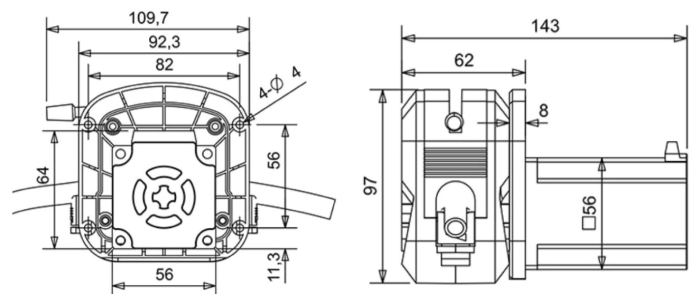


FEATURES

- ✓ Flow Rate: up to 1,500 mL/min
- ✓ Suitable for OEM applications
- ✓ Quick tube changes
- ✓ Choice of DC Motor or Stepper Motor for quiet operation
- ✓ Tubing Options: PharMed® BPT (BPT), Silicone (S), Norprene® (N)
- ✓ Max Motor Speed: 350 rpm
- ✓ 3 Rollers
- ✓ MODBUS Controller for Stepper Motor (optional)



PP-10-DC Technical Drawings



PP-10-ST Technical Drawings

PP-10	Flow Rate (mL/min)						
	12 VDC – DC Motor (1.2A) 3 Rollers	400	570	900	1,240	410	560
24 VDC – DC Motor (0.6A) 3 Rollers	440	600	1,000	1,300	440	600	860
24 VDC – Stepper Motor (1.8A) 3 Rollers	420	650	1,100	1,500	420	650	1,000
Tubing Options							
Tubing Code	S 40	S 25	S 17	S 18	B 40	B 25	B 17
Tubing Size IDxOD (mm)	4.0x7.2	4.8x8.0	6.4x9.6	7.9x11.1	4.0x7.2	4.8x8.0	6.4x9.6