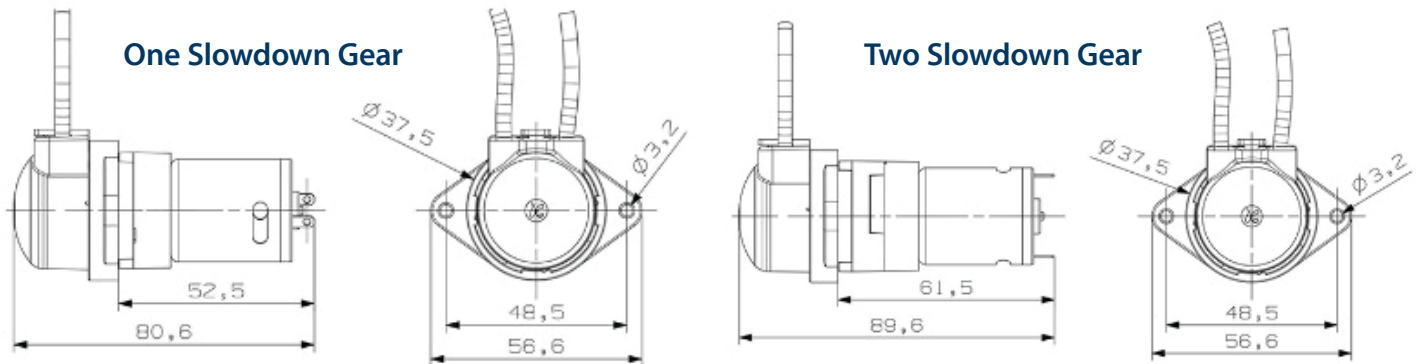


## PP-1 Peristaltic Pump



### FEATURES

- ✔ Compact Size
- ✔ Light Weight: 90 gms
- ✔ Flow Rate: 1 mL/min to 95 mL/min range
- ✔ Suitable for viscous and non-viscous liquids
- ✔ Tubing Options: High-Grade Viton (V), PharMed® BPT (BPT), Silicone (S)
- ✔ Special gear system design eliminates slippage problem very common in other peristaltic pumps
- ✔ Available in 2 different Gear Down Ratio options - enables operating at very low flow rates
- ✔ Also available with Brushless DC Motor with PWM for precise control of the pump output



PP-1	Flow Rate (mL/min)						
6 VDC (600 mA) One Gear Down	15	50	95	15	50	95	70
6 VDC (600 mA) Two Gear Down	1	4	7	1	4	7	6
12 VDC (400 mA) One Gear Down	15	50	95	15	50	95	70
12 VDC (400 mA) Two Gear Down	1	4	7	1	4	7	6
24 VDC (200 mA) One Gear Down	15	50	95	15	50	95	70
24 VDC (200 mA) Two Gear Down	1	4	7	1	4	7	6
<b>Tubing Options</b>							
Tubing Material	S	S	S	BPT	BPT	BPT	V
Tubing Size IDxOD (mm)	1x3.3	2x4	3x5	1x3.3	2x4	3x5	2.5x4.2