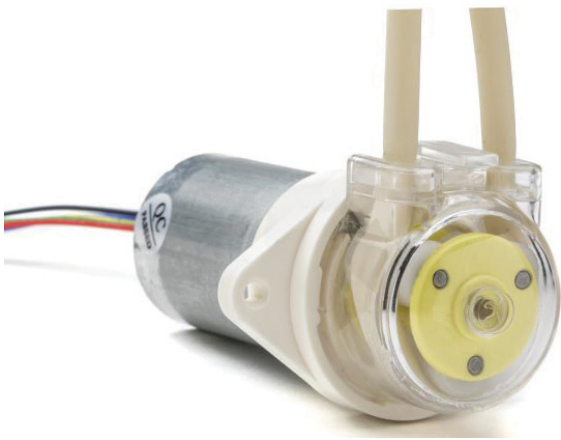


PP-1-BL (brushless) Peristaltic Pump



FEATURES

- ✓ Compact Size
- ✓ Light Weight: 90 gms
- ✓ Flow Rate: 1 mL/min to 130 mL/min range
- ✓ Suitable for viscous and non-viscous liquids
- ✓ Tubing Options: High-Grade Viton (V), PharMed® BPT (BPT), Silicone (S)
- ✓ Special gear system design eliminates slippage problem very common in other peristaltic pumps
- ✓ Available in 2 different Gear Down Ratio options - enables operating at very low flow rates
- ✓ Brushless DC Motor with PWM for precise control of the pump output

WIRING INSTRUCTIONS FOR BRUSHLESS MOTOR:

RED: +ve

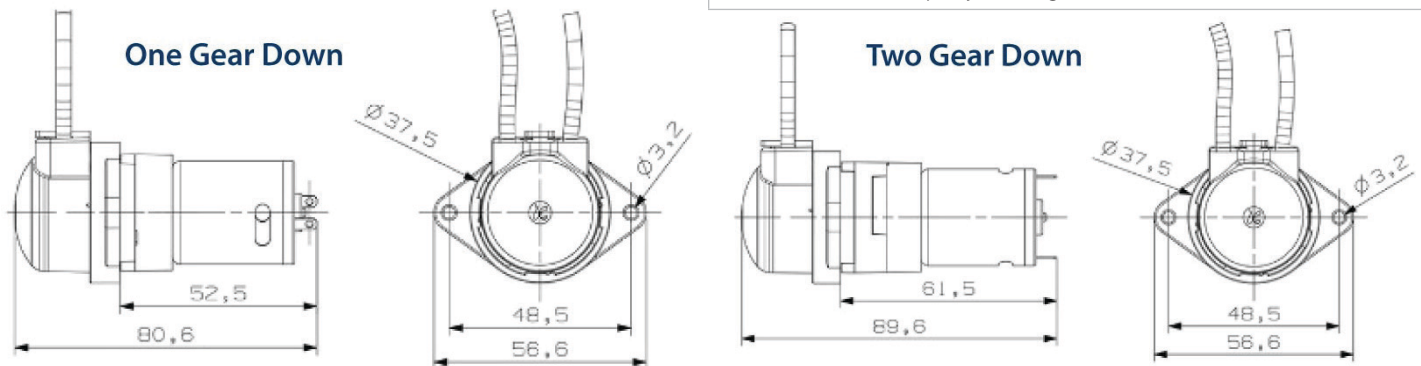
BLACK: -ve

BLUE: PWM (Pulse Width Modulation) 5-20 kHz, 0-5 V

GREEN: Motor speed feedback

YELLOW: CW/CCW

* Black & Blue wires may be joined together if PWM function is not needed.



PP-1-BL	Flow Rate (mL/min)						
	12 VDC (400 mA) One Gear Down	15	65	120	20	60	130
12 VDC (400 mA) Two Gear Down	1	5	10	2	6	9	6
24 VDC (200 mA) One Gear Down	15	65	120	20	60	130	70
24 VDC (200 mA) Two Gear Down	1	5	10	2	6	9	6
Tubing Options							
Tubing Material	S	S	S	BPT	BPT	BPT	V
Tubing Size IDxOD (mm)	1x3.3	2x4	3x5	1x3.3	2x4	3x5	2.5x4.2