

## Air & Gas Pumps

Because of their compact size & light weight, these small air pumps are suitable for small portable apparatus for medical & analytical instruments. The small vacuum pumps can be used in pressure or vacuum mode. These maintenance-free miniature air pumps feature low pulsation, leak free & can be installed in any position. Wide range of motors options such as Brush, Brushless & Coreless DC motors are available for customizing to individual application.

### FEATURES

- ✓ Lightweight
- ✓ Compact Size
- ✓ Low Noise
- ✓ 100% Oil Free



GX-1-BL (brushless)



GX-2



GX-3-S (Single Head)



GX-3-D (Dual Head)



GX-4-S (series)



GX-4-P (parallel)

## GX Small Diaphragm Pumps

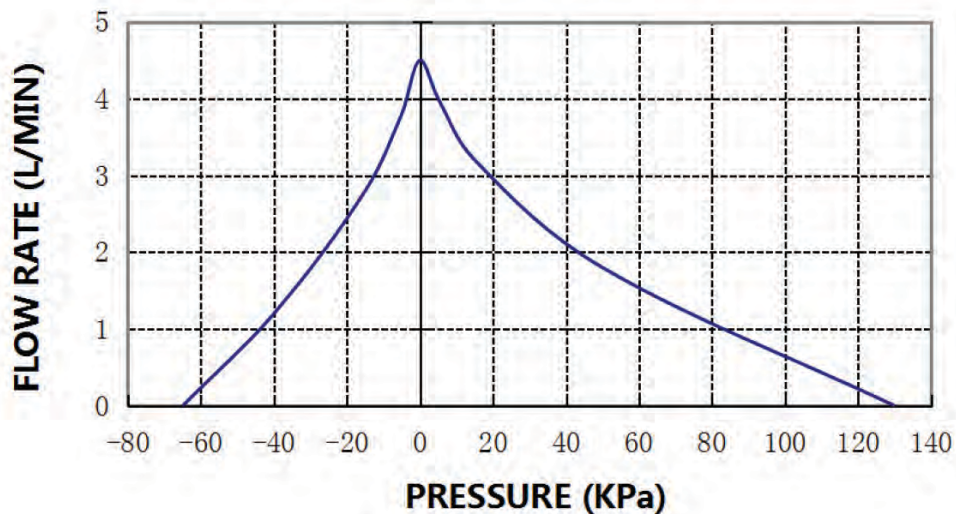
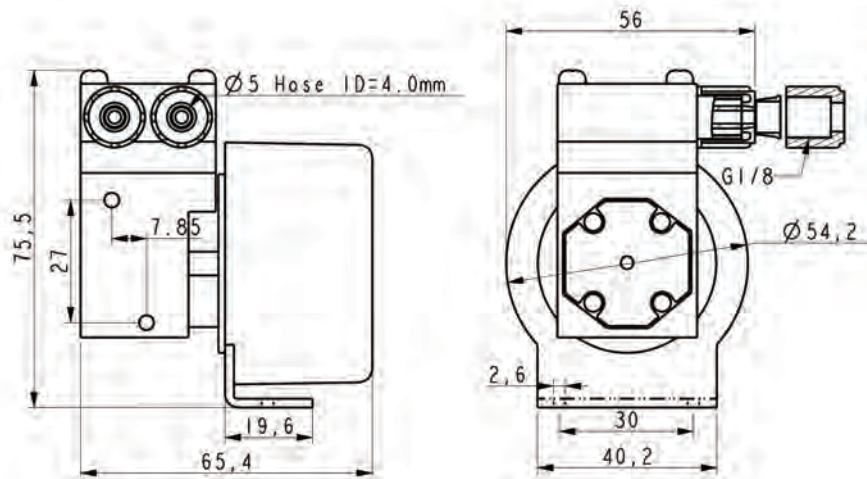
Model	Flow (L/min)	Pressure (bar)	Vacuum (bar)	Voltage (VDC)	Current (mA)	Motor Code	Weight (g)	Dimensions (mm)
GX-1-BL (brushless)	5.0	1.2	- 0.7	6/12/24	0.4/0.2/0.15	5	220	80x31x58
GX-2	8.0	2.0	- 0.7	12	0.8	1	280	85x37x65
GX-3-S (Single Head)	5.0	1.8	- 0.7	12/24	---	5	155	70x55x31
GX-3-D (Dual Head)	8.0	1.8	- 0.7	12/24	---	5	225	80x78x31
GX-4-S (series - Dual Head)	6.0	1.8	- 0.85	12/24	0.55/0.32	5	280	100x75x32
GX-4-P (parallel - Dual Head)	8.0	1.6	- 0.65	12/24	0.55/0.32	5	280	100x75x32

# GX-1-BL Air & Gas Pump (brushless)

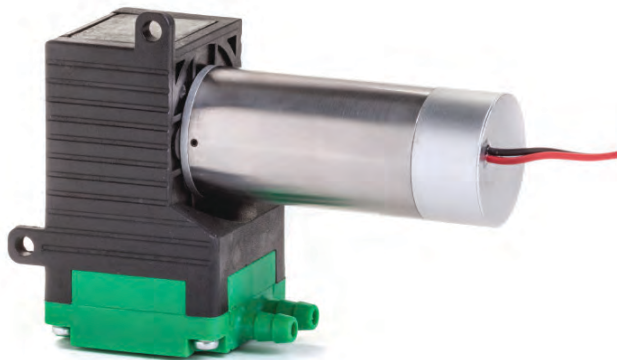


## TECHNICAL DATA

- ✓ Flow (L/min): 5.0
- ✓ Pressure (bar): 1.2
- ✓ Vacuum (bar): - 0.7
- ✓ Voltage (VDC): 6/12/24
- ✓ Current (mA): 0.4/0.2/0.15
- ✓ Motor Code: 5
- ✓ Weight (g): 220
- ✓ Dimensions (mm): 80x31x58

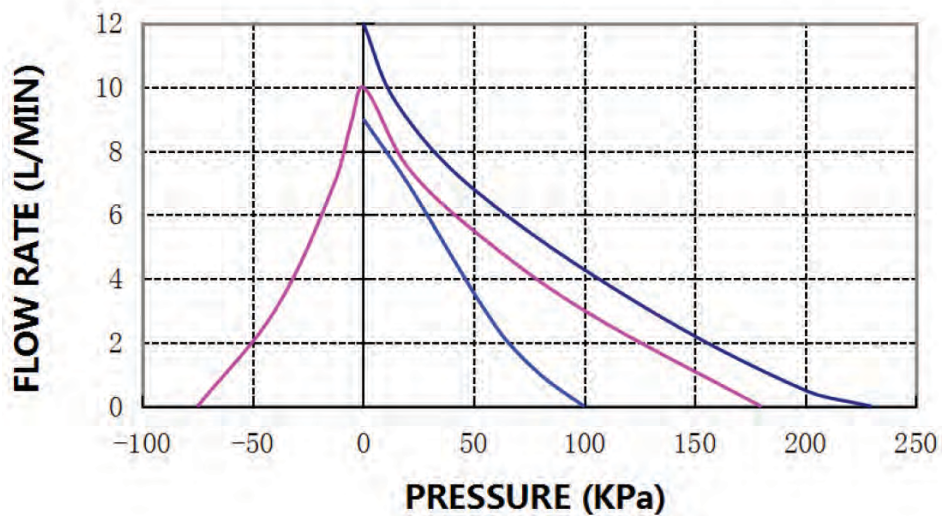
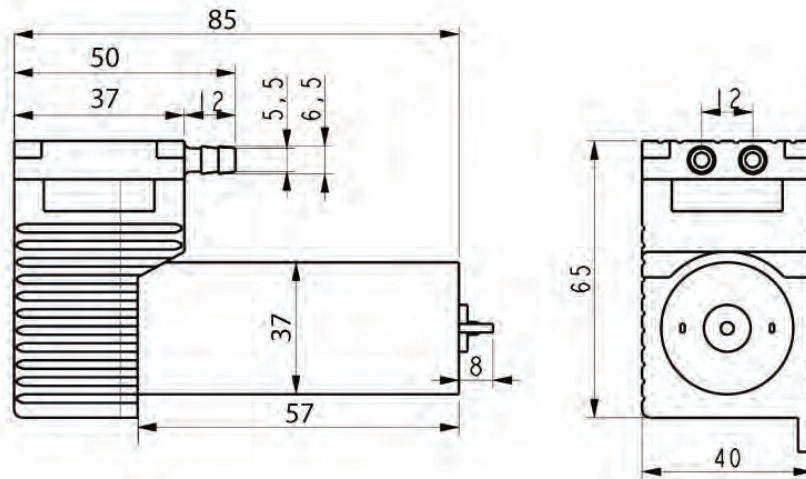


# GX-2 Air & Gas Pump

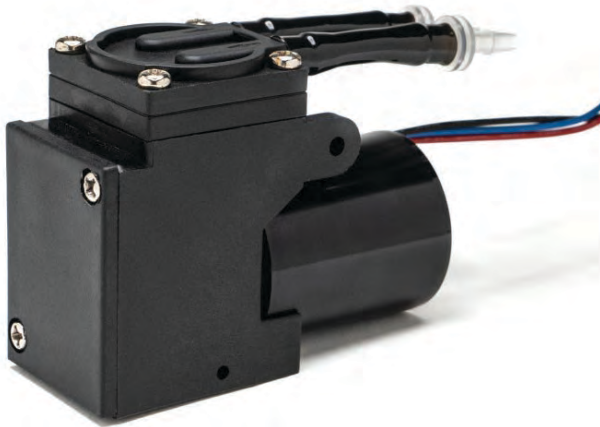


## TECHNICAL DATA

- ✓ Flow (L/min): 8.0
- ✓ Pressure (bar): 2.0
- ✓ Vacuum (bar): - 0.7
- ✓ Voltage (VDC): 12
- ✓ Current (mA): 0.8
- ✓ Motor Code: 1 (brush motor)
- ✓ Weight (g): 280
- ✓ Dimensions (mm): 85x37x65



## GX-3-S Air & Gas Pump



### TECHNICAL DATA

- ✓ Flow (L/min): 5.0
- ✓ Pressure (bar): 1.8
- ✓ Vacuum (bar): - 0.7
- ✓ Voltage (VDC): 12/24
- ✓ Current (Amp): 0.55/0.32
- ✓ Motor Code Key\*: 5
- ✓ Weight (g): 155
- ✓ Dimensions (mm): 70x55x31

### WIRING INSTRUCTIONS FOR BRUSHLESS MOTOR (3 Wires):

RED: +ve

BLACK: -ve

BLUE: PWM (Pulse Width Modulation) 0-5 V analog

\* Red and Blue wires may be joined together if PWM function is not needed.

### WIRING INSTRUCTIONS FOR BRUSHLESS MOTOR (4 Wires):

RED: +ve

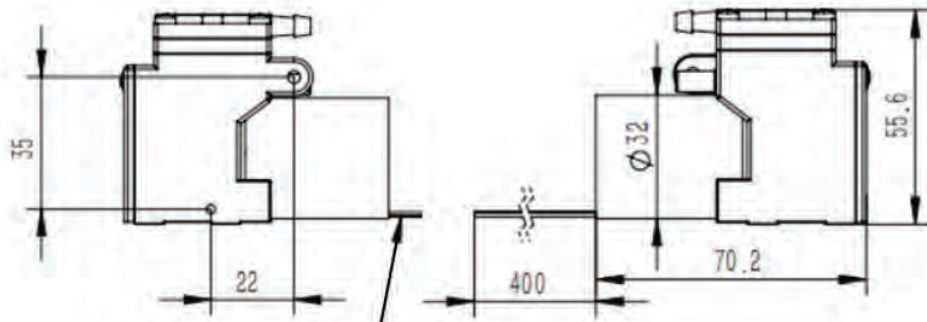
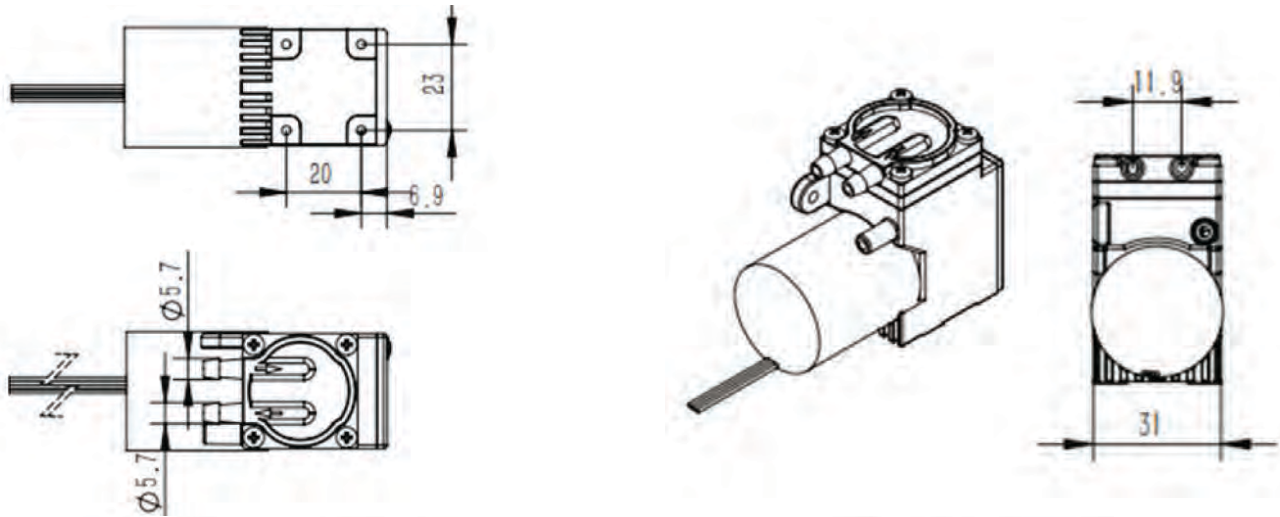
BLACK: -ve

BLUE: PWM (Pulse Width Modulation) 0-5 V analog

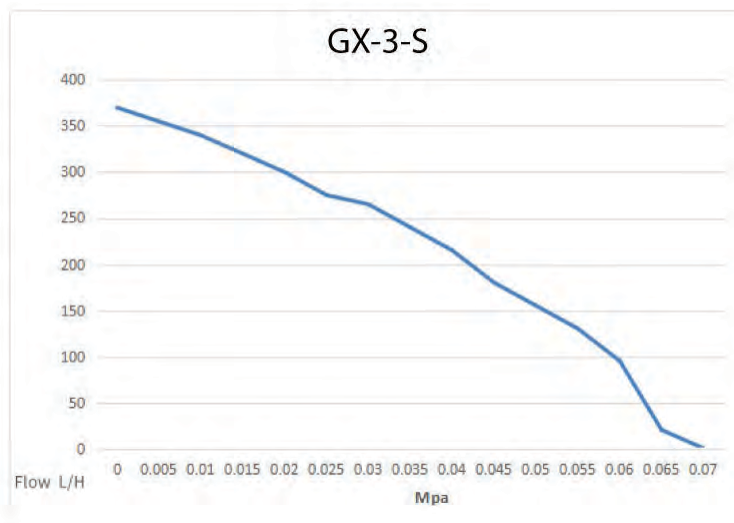
GREEN: Motor Speed Feedback

\* Red and Blue wires may be joined together if PWM function is not needed.

# GX-3-S Air & Gas Pump (continued)



Material: PTFE UL1332 AWG24  
 1 - VVC - red  
 2 - GND - black  
 3 - SP - blue



## GX-3-D Air & Gas Pump



### TECHNICAL DATA

- ✓ Flow (L/min): 8.0
- ✓ Pressure (bar): 1.8
- ✓ Vacuum (bar): - 0.7
- ✓ Voltage (VDC): 12/24
- ✓ Current (Amp): 0.55/0.32
- ✓ Motor Code Key\*: 5
- ✓ Weight (g): 225
- ✓ Dimensions (mm): 80x78x31

### WIRING INSTRUCTIONS FOR BRUSHLESS MOTOR (3 Wires):

RED: +ve

BLACK: -ve

BLUE: PWM (Pulse Width Modulation) 0-5 V analog

\* Red and Blue wires may be joined together if PWM function is not needed.

### WIRING INSTRUCTIONS FOR BRUSHLESS MOTOR (4 Wires):

RED: +ve

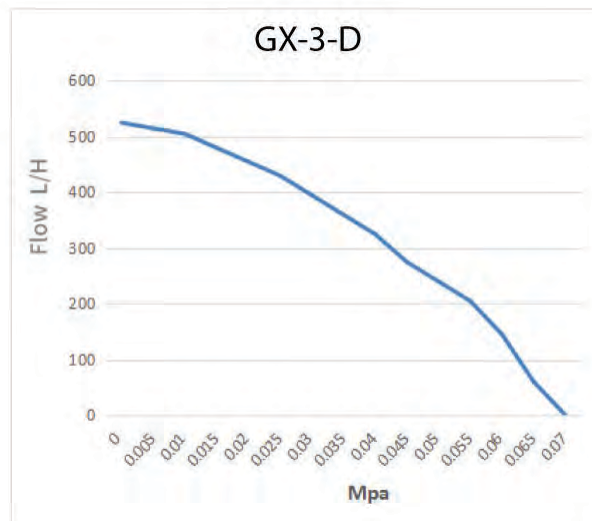
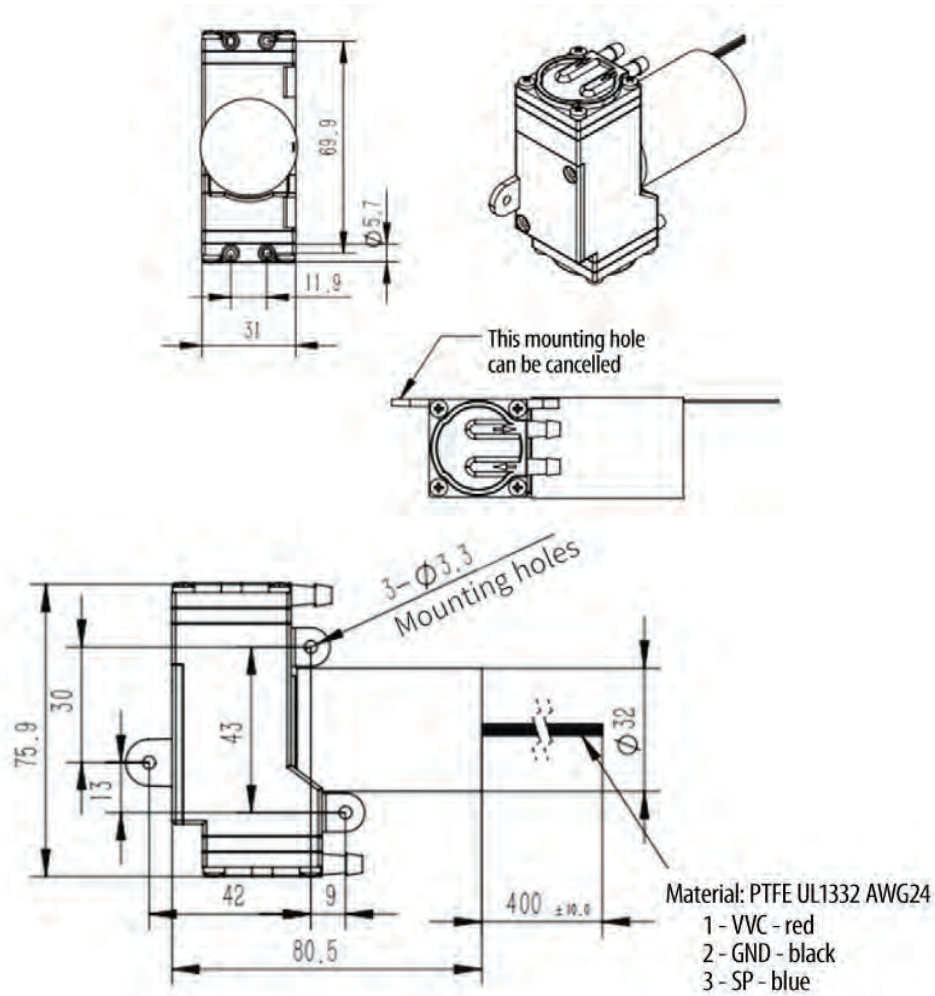
BLACK: -ve

BLUE: PWM (Pulse Width Modulation) 0-5 V analog

GREEN: Motor Speed Feedback

\* Red and Blue wires may be joined together if PWM function is not needed.

# GX-3-D Air & Gas Pump (continued)



## GX-4-S Air & Gas Pump (series)



### TECHNICAL DATA

- ✓ Flow (L/min): 6.0
- ✓ Pressure (bar): 1.8
- ✓ Vacuum (bar): - 0.85
- ✓ Voltage (VDC): 12/24
- ✓ Current (mA): 0.55/0.32
- ✓ Motor Code: 5
- ✓ Weight (g): 280
- ✓ Dimensions (mm): 100x75x32

### WIRING INSTRUCTIONS FOR BRUSHLESS MOTOR (3 Wires):

RED: +ve

BLACK: -ve

YELLOW: PWM (Pulse Width Modulation) 0-5 V analog

\* Red and Yellow wires may be joined together if PWM function is not needed.

### WIRING INSTRUCTIONS FOR BRUSHLESS MOTOR (4 Wires):

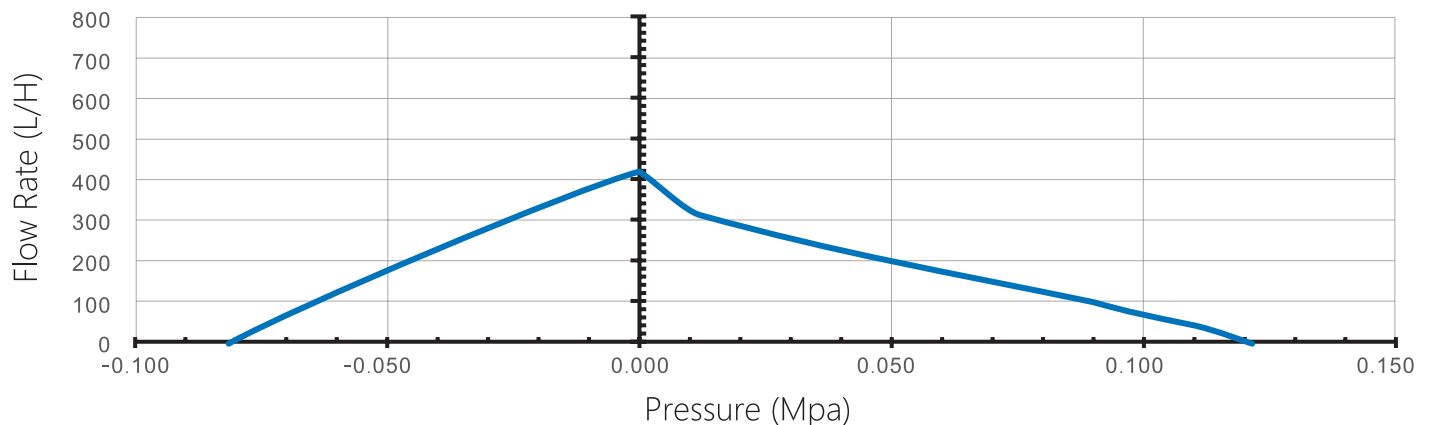
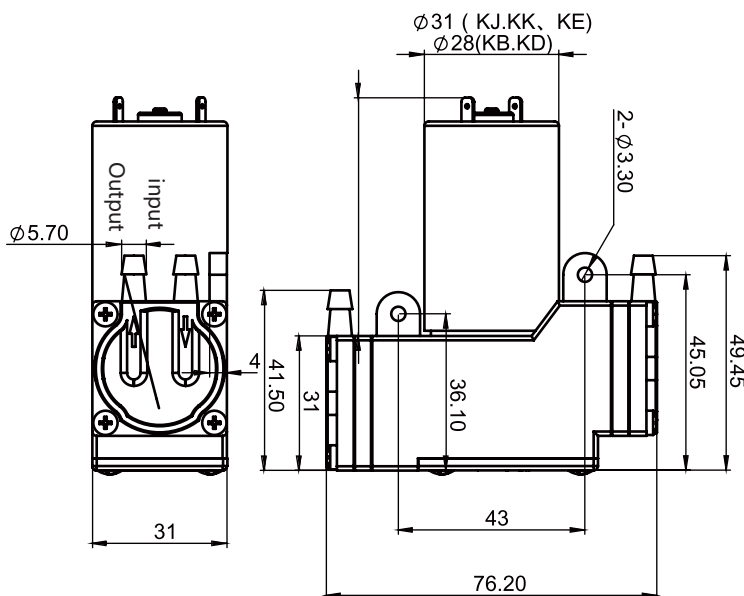
RED: +ve

BLACK: -ve

YELLOW: PWM (Pulse Width Modulation) 0-5 V analog

GREEN: Motor Speed Feedback

\* Red and Yellow wires may be joined together if PWM function is not needed.





## GX-4-P Air & Gas Pump (parallel)



### TECHNICAL DATA

- ✓ Flow (L/min): 8.0
- ✓ Pressure (bar): 1.6
- ✓ Vacuum (bar): - 0.65
- ✓ Voltage (VDC): 12/24
- ✓ Current (mA): 0.55/0.32
- ✓ Motor Code: 5
- ✓ Weight (g): 280
- ✓ Dimensions (mm): 100x75x32

### WIRING INSTRUCTIONS FOR BRUSHLESS MOTOR (3 Wires):

RED: +ve

BLACK: -ve

YELLOW: PWM (Pulse Width Modulation) 0-5 V analog

\* Red and Yellow wires may be joined together if PWM function is not needed.

### WIRING INSTRUCTIONS FOR BRUSHLESS MOTOR (4 Wires):

RED: +ve

BLACK: -ve

YELLOW: PWM (Pulse Width Modulation) 0-5 V analog

GREEN: Motor Speed Feedback

\* Red and Yellow wires may be joined together if PWM function is not needed.

