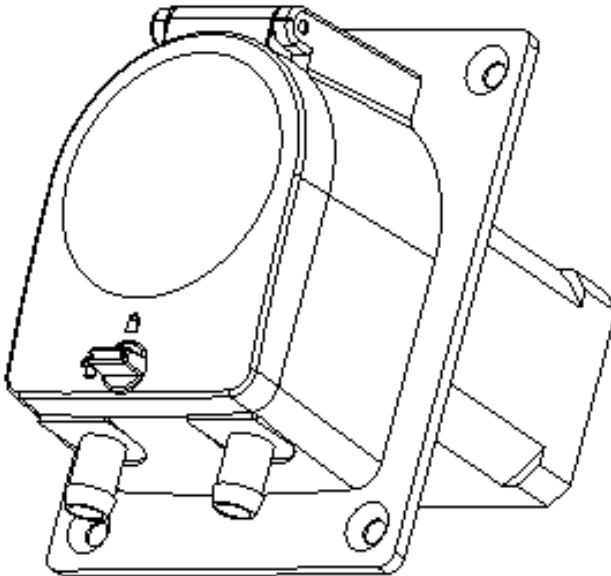




Precision Peristaltic Pump  
**PP-202 Manual**



Tubing Installation Procedure



1. As below picture, turn the holding pin to unlocking position



2. Open the transparent cover



3. Install the tubing



4. Close the transparent cover, and turn the holding pin to locking position

### Pump Tube Type: Tube size

<b>Tube Size</b>	16#	25#	17#
<b>Inner Diameter (mm)</b>	3.2	4.8	6.4
<b>Roller Numbers</b>	4	4	4
<b>Flow Amount (ml)</b>	0.8	0.16	0.30

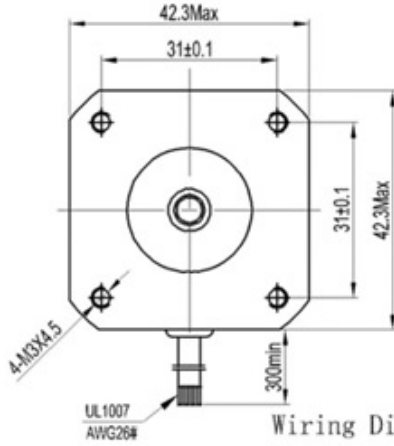
<b>Model</b>	<b>Housing Material</b>	<b>Motor rpm)</b>	<b>Tubes</b>	<b>Flow Rate (ml/min)</b>	<b>Weight kg</b>
<b>PP-202</b>	Body: PES Cover: PC	0.1-300	16#	0.08-230	0.8
	25#		0.16-475		
	17#		0.30-800		

## Stepper Motor

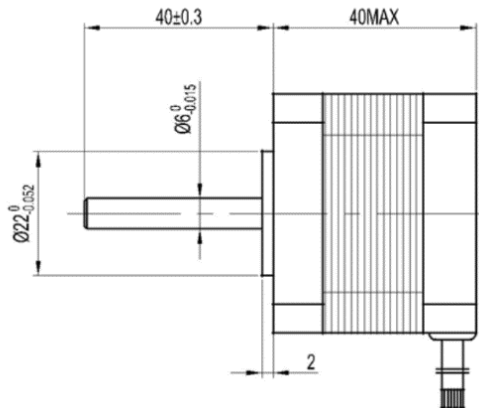
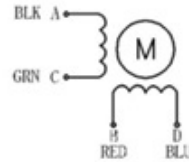
### Electrical Specification

<b>Phase</b>	2	
<b>Step Angle</b>	1.8	° /STEP
<b>Rated Voltage</b>	2.2	V
<b>Current</b>	1.0	A/PHASE
<b>Resistance</b>	2.2±10%	Ω/PHASE
<b>Inductance</b>	3.9±10%	mH/PHASE
<b>Holding Torque</b>	3.5	Kg.cm
<b>Insulation Class</b>	B	
<b>Mass</b>	0.3	kg

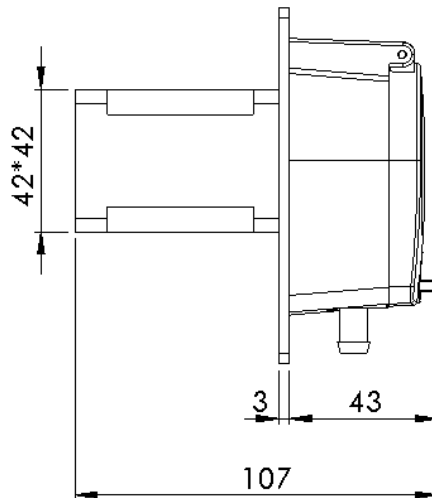
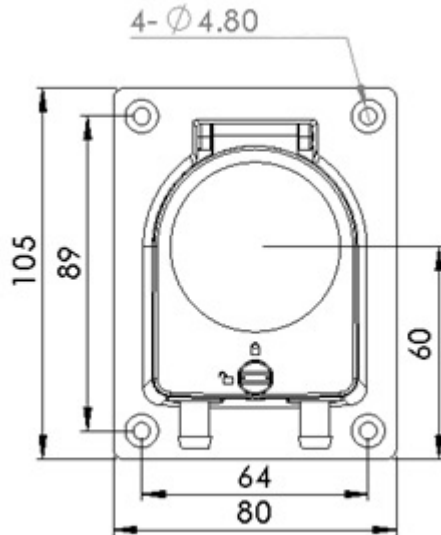
**Motor Dimension**



Wiring Diagram:



**Product Dimension Drawing**



## **Maintenance**

When pump is not in use, loosen the cartridge to avoid damage to the tube. Keep the rollers of the pump head clean and dry. Make sure pump head & rollers do not come in contact with any corrosive liquid.

## **Warranty and After Service**

This pump comes with a one year warranty. The warranty does not include the tubing. Misuse of this product by the user will void the warranty.



Binaca Pumps  
41636 Enterprise Circle North, Suite A  
Temecula, CA 92590  
Phone: (951) 296-3397  
Fax: (951) 296-3398  
Email: [info@BinacaPumps.com](mailto:info@BinacaPumps.com)  
Website: [www.BinacaPumps.com](http://www.BinacaPumps.com)