

Air & Gas Pumps

These miniature diaphragm pumps work on the technology using a DC motor driving a rubber diaphragm through an eccentric. The life of these small air pumps depends mainly on the type of motor used. Use of high quality DC brushless motor can provide life up to 3,000 hours. Due to their compact size & light weight, these small vacuum pumps are highly desirable for portable equipment such as medical device/ diagnostic, analytical & gas analyzers.

Pulse Width Modulation (PWM) option is available on certain DC volt version pumps. This unique feature is highly desirable for applications requiring precise control of the pump output.

FEATURES

- ✔ Compact Size
- ✔ Low Vibration
- ✔ Low Noise
- ✔ Life Up To 3,000 Hours
- ✔ Pulse Width Modulation Available



CX-1



CX-2



CX-3



CX-4

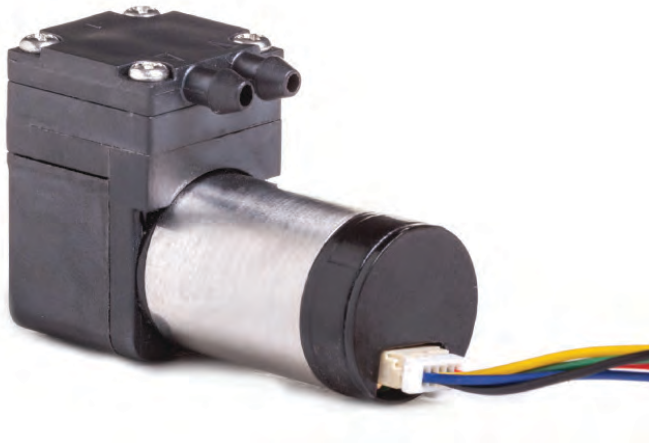


CX-5

CX Miniature Diaphragm Pumps

Model	Flow (L/min)	Pressure (bar)	Vacuum (bar)	Voltage (VDC)	Current (mA)	Motor Type	Weight (g)	Dimensions (mm)
CX-1	1.0	0.7	- 0.5	6	200	Brushless	32	45x27x17
CX-2	2.5	0.7	- 0.4	12	150	Brushless	55	50x40x25
CX-3	3.0	2.5	- 0.8	12	400	Brushless	150	77x53x30
CX-4	5.0	1.2	- 0.7	24	350	Brushless	224	80x66x40
CX-5	1.0	0.9	- 0.4	12/24	320/170	Brushless	40	50x25 Ø

CX-1 Air & Gas Pump



TECHNICAL DATA

Flow (L/min): 1.0

Pressure (bar): 0.7

Vacuum (bar): - 0.5

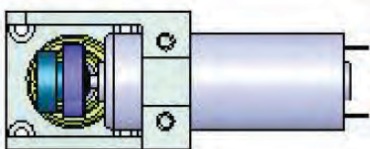
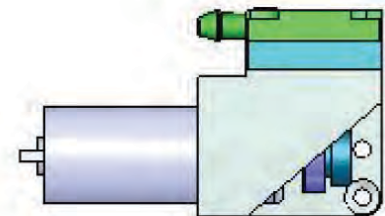
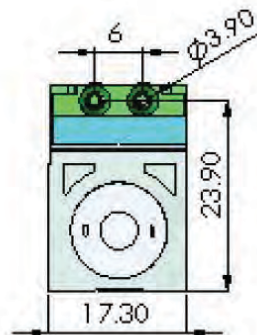
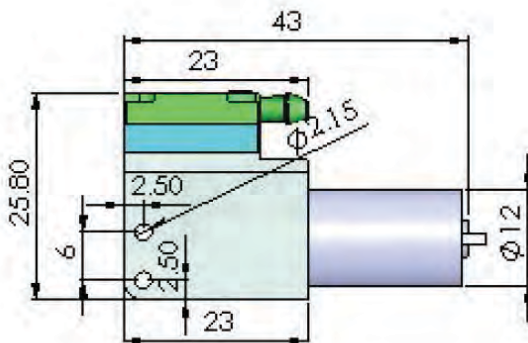
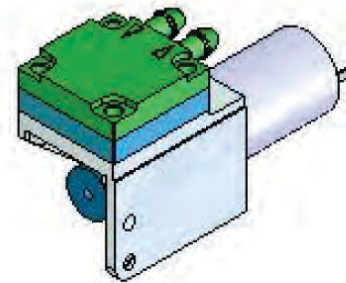
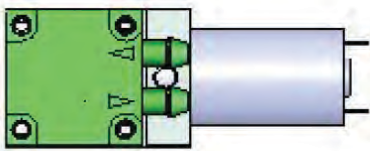
Voltage (VDC): 6

Current (mA): 200

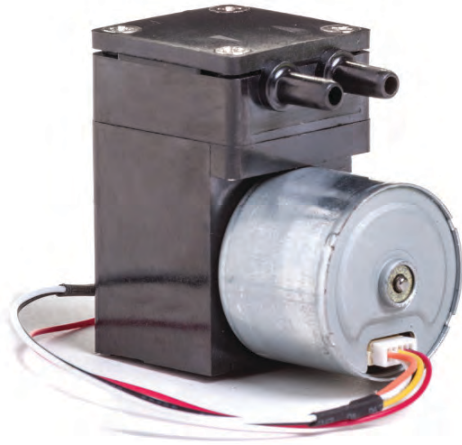
Motor Type: Brushless

Weight (g): 32

Dimensions (mm): 45x27x17

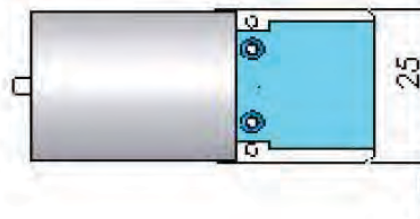
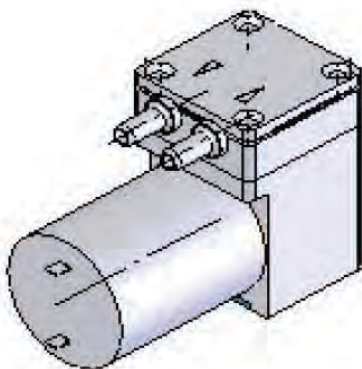
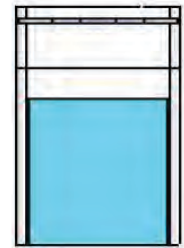
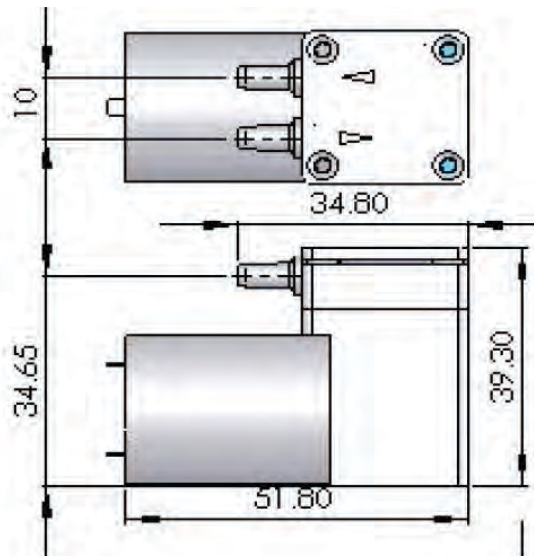


CX-2 Air & Gas Pump



TECHNICAL DATA

- Flow (L/min): 2.5
- Pressure (bar): 0.7
- Vacuum (bar): - 0.4
- Voltage (VDC): 12
- Current (mA): 150
- Motor Type: Brushless
- Weight (g): 55
- Dimensions (mm): 50x40x25



CX-3 Air & Gas Pump



TECHNICAL DATA

Flow (L/min): 3.0

Pressure (bar): 2.5

Vacuum (bar): - 0.8

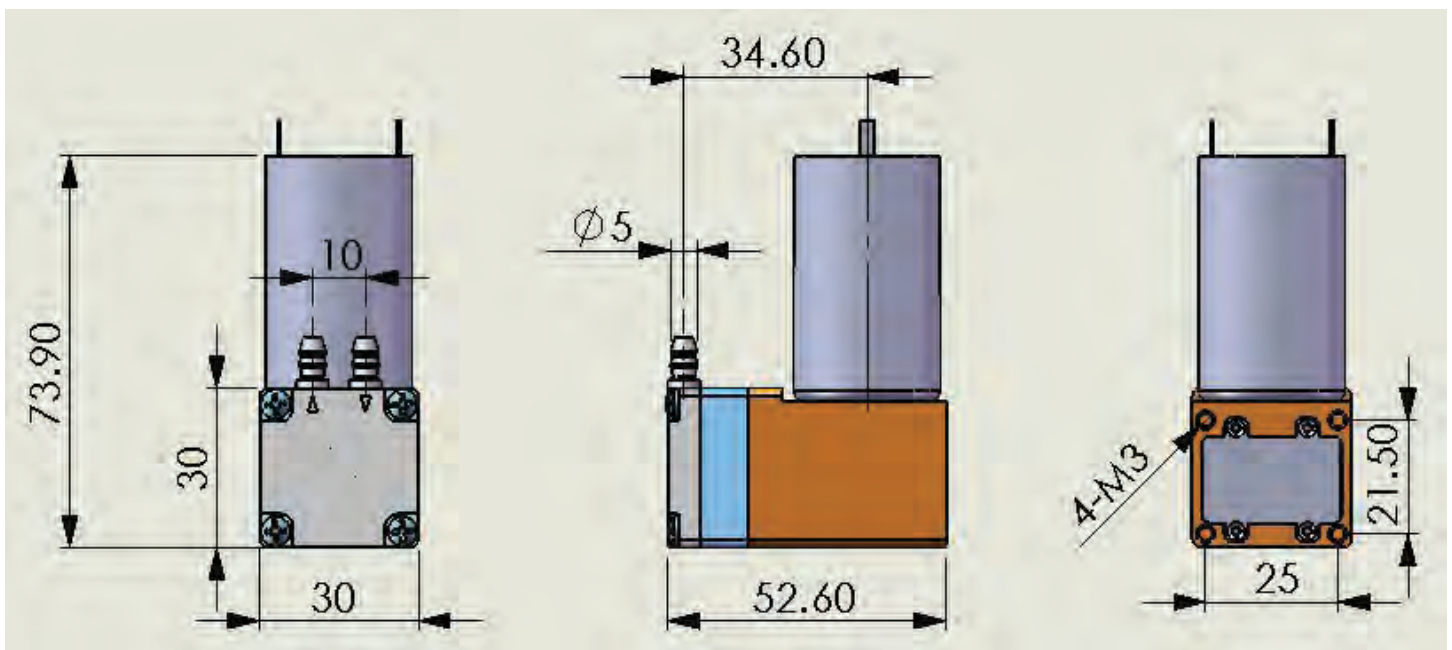
Voltage (VDC): 12

Current (mA): 400

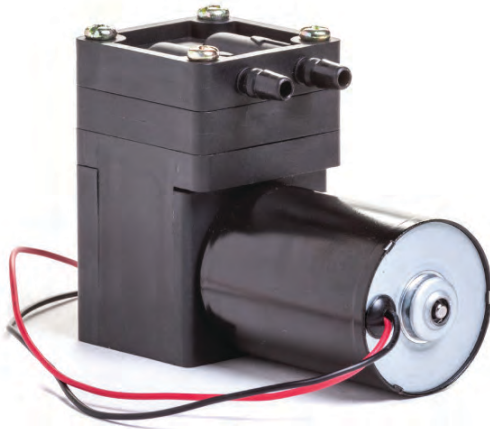
Motor Type: Brushless

Weight (g): 150

Dimensions (mm): 77x53x30

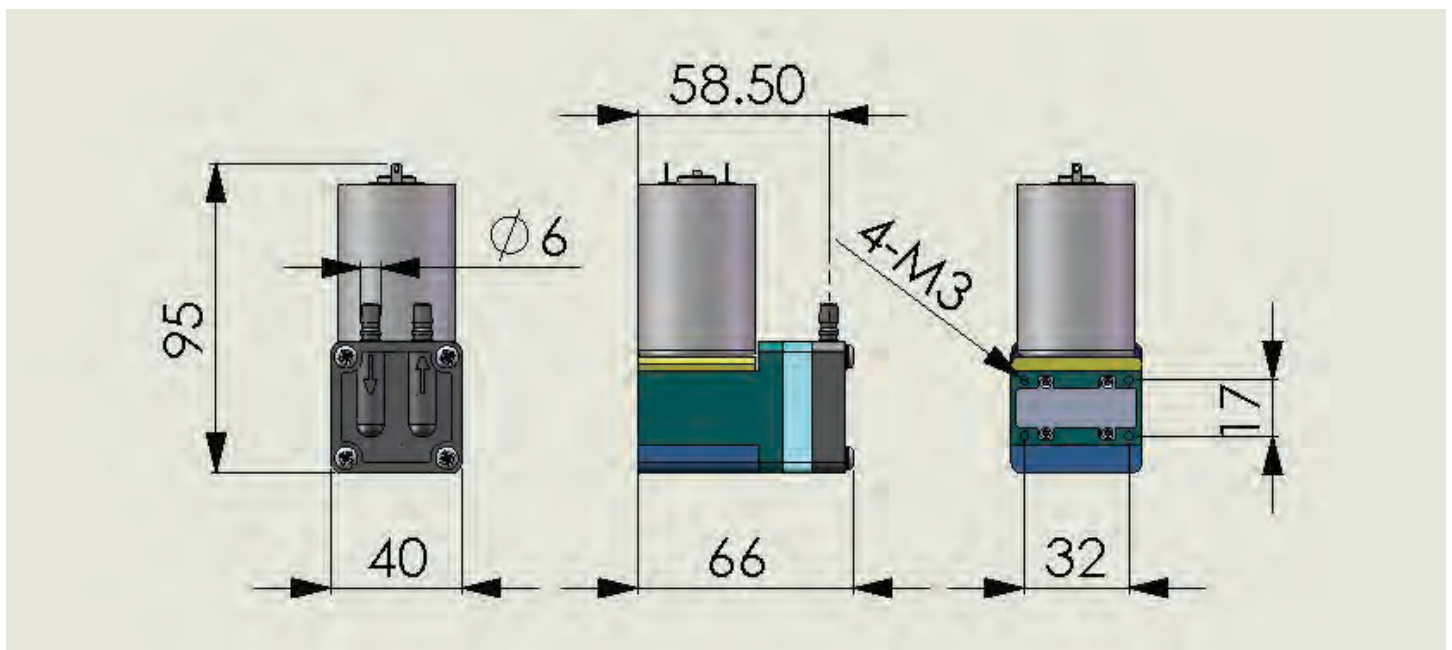


CX-4 Air & Gas Pump



TECHNICAL DATA

- Flow (L/min): 5.0
- Pressure (bar): 1.2
- Vacuum (bar): - 0.7
- Voltage (VDC): 24
- Current (mA): 350
- Motor Type: Brushless
- Weight (g): 225
- Dimensions (mm): 80x66x40



CX-5 Air & Gas Pump

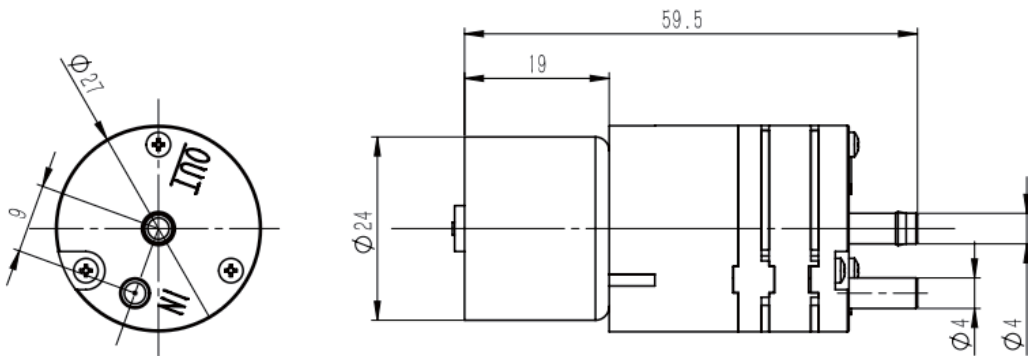


TECHNICAL DATA

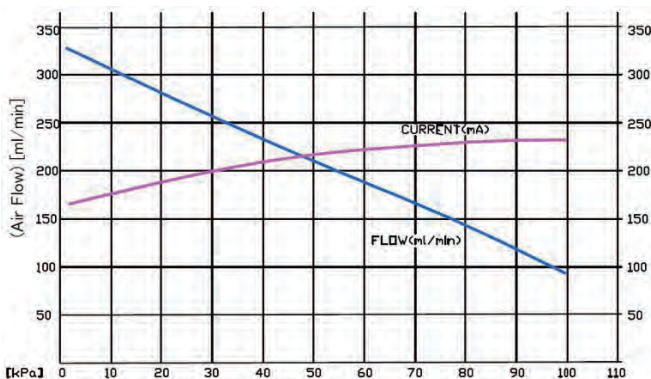
Flow (L/min): 1.0
 Pressure (bar): 0.9
 Vacuum (bar): - 0.4
 Voltage (VDC): 12/24
 Current (mA): 320/170
 Motor Type: Brushless
 Weight (g): 40
 Dimensions (mm): 50×25 Ø

WIRING INSTRUCTIONS FOR BRUSHLESS MOTOR:

RED: +ve
BLACK: -ve
WHITE: PWM (Pulse Width Modulation) 5-20 kHz, 0-5 V
* Black and White wires may be joined together if PWM function is not needed.



FLOW RATE: 12 VDC



FLOW RATE: 24 VDC

